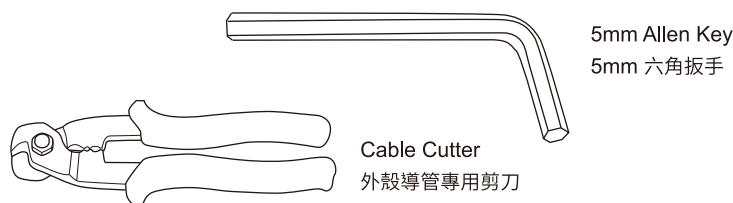


Advanced Mountain Brake Cable Set Manual

進階山地車剎車線組 使用說明書

 CICLOVATION.COM

TOOL 工具



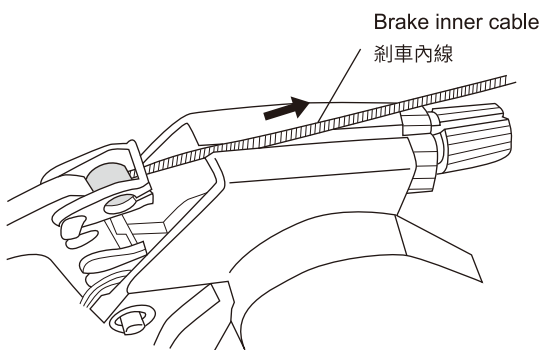
INSIDE PRODUCTS 整組產品內容



STEPS 步驟

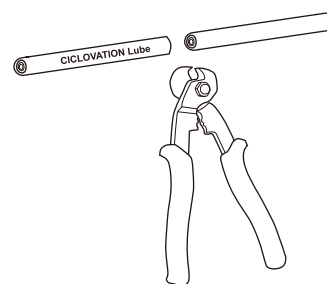
1. Pass the brake inner cable through.

將剎車內線穿過手把端。



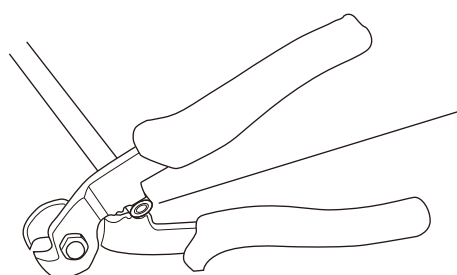
2. Use the cable cutter to cut the outer casing to the necessary length.

使用外殼導管專用剪刀，裁切每段實際需求長度。
(外殼導管長度建議參考原有車上組裝的長度)



3. After cutting, use the cable cutter to correct the distortion of the outer casing. And install end caps.

裁剪完畢，請使用外殼導管專用剪刀整圓處，將外殼導管因裁剪擠壓變形端重新整圓，以利使用順暢；然後再安裝端套。



Make sure that the outer casing is rounded after cutting.

外殼導管裁剪後，請確實使用剪刀整圓處再次整圓外殼導管，確保動作順暢。



Contact
接觸面



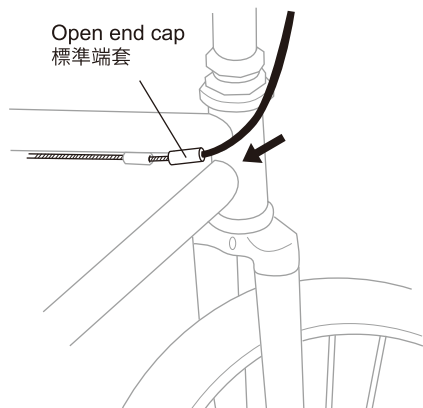
Open end cap
標準端套

If the end cap is not securely installed to the outer casing, the outer casing might not operate properly.

若外殼導管沒有完全裝到端套底部，則會影響作動。

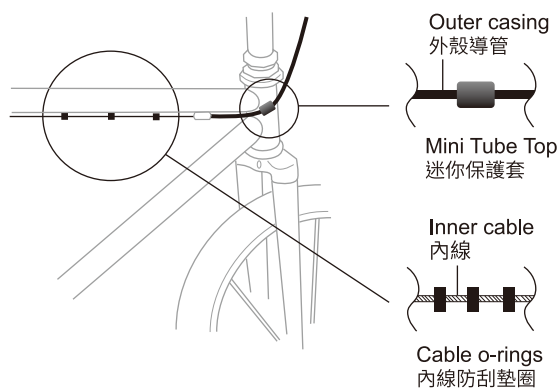
4. Run the brake inner cable through the outer casing and install the outer casing.

將剎車內線穿過外殼導管，並將外殼導管組裝於適切的各部位。



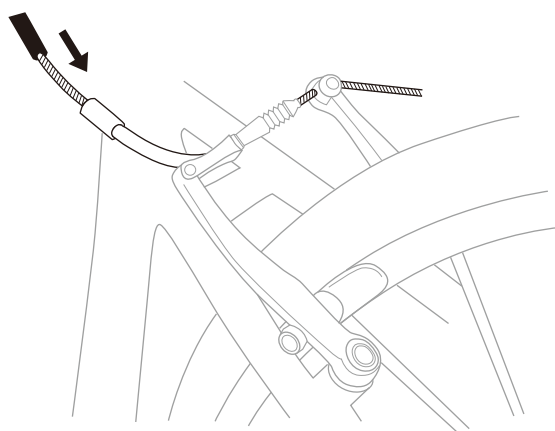
5. Between the cable stops add the mini tube tops and cable o-rings.

將防止摩擦車架的保護套、內線防刮墊圈組裝於適切的位置。



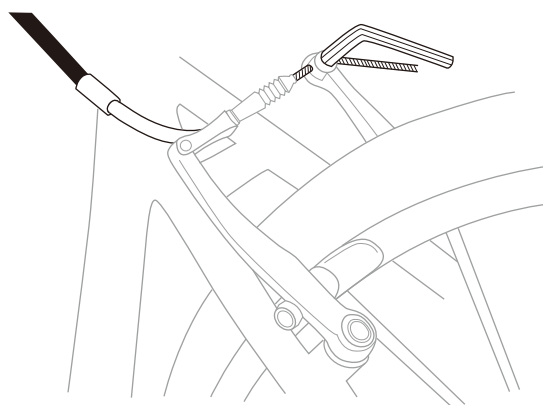
6. Pass the brake inner cable through brake noodle and seat outer casing.

將剎車內線穿過外殼導管，並將外殼導管組裝於剎車器彎管上。



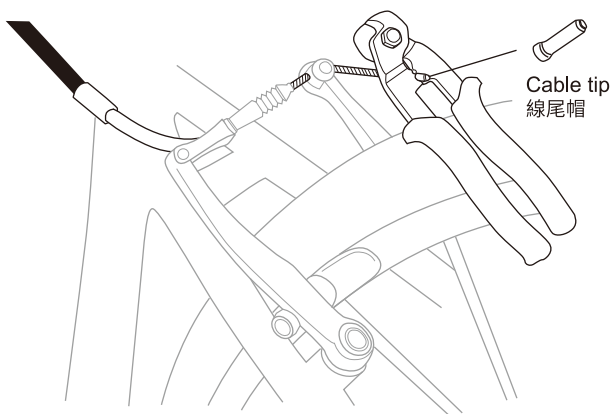
7. Adjust brakes and tighten anchor bolt to recommended torque specifications.

將剎車內線穿過夾器調整螺絲後，鎖固於螺絲上面。
(螺絲的鎖緊扭力請參考剎車夾器原廠組裝說明)



8. Cut off excess inner cable and crimp the cable tip

將多餘的剎車內線剪斷後，套上剎車內線專用線尾帽，並夾緊防止脫落。



General Safety Information 重要安全資訊

⚠ WARNING 警告

- ▶ This manual is intended primarily for use by professional bicycle mechanics.
- ▶ Users who are not professionally trained for bicycle assembly should not attempt to install the components themselves. Instead, contact your place of purchase or a local bicycle dealer for their assistance.
- ▶ Improper adjustment or service may result in damage to the bicycle or an accident, which can cause serious injury or death.

- ▶ 本使用者說明書供專業且有經驗的自行車技師參考。
- ▶ 若本身尚未向技師或經銷商學會正確的維修方法前，切勿擅自隨意對自行車進行任何調整或保養的動作。故在自行車上安裝零配件前，請先向車店技師或零售車店商進行確認。
- ▶ 使用錯誤的調整或保養，將可能引起自行車的損壞或事故發生，甚至導致嚴重傷亡事故發生。

For installation assistance, please contact your bike shops or email us at: info@ciclovation.com

如需更多組裝訊息，請與我們連絡：info@ciclovation.com

All trademarks are the property of their respective owners.
© Huang's Smart Cycling, Inc